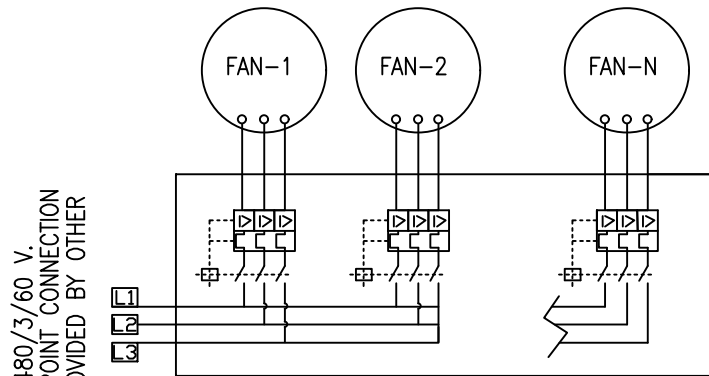


REV	DESCRIPTION	DATE	BY
A	INITIAL RELEASE		

480/3/60 FAN MOTORS

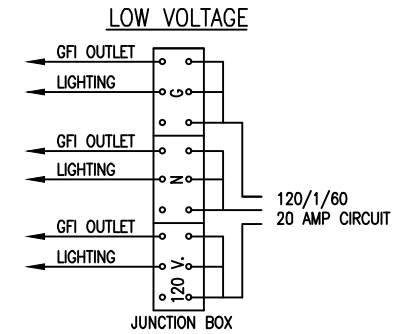



480/3/60 V.
SINGLE POINT CONNECTION
VFD PROVIDED BY OTHER

THERMAL OVERLOAD PANEL

Manual Motor Protector (MMP) provided for each motor.
The MMP provides short circuit and overload protection.
MMP is not designed as a service disconnect device.

- (1) - Single point connection for supply fans
- (1) - Single point connection for exhaust fans



ITEM	PART NO.	DESCRIPTION	QTY
UNLESS OTHERWISE SPECIFIED DIMENSIONS ARE IN INCHES		 2700 South 900 West Salt Lake City, Utah 84119-2418	
UNSPECIFIED TOLERANCES			
DECIMALS: in mm		SAMPLE PROJECT ELECTRICAL DIAGRAM	
.X ± .1 ± 2.5			
.XX ± .06 ± 1.52			
.XXX ± .031 ± 0.787			
ANGULAR: ± .5			
JOB NO. -		DRAWN BY: SWB DATE: 12/9/2013 SCALE: N.T.S. DRAWING NO. ED-1	REV: B
		CHECKED BY: DATE: SIZE: B	

THIS DRAWING, AND THE INFORMATION SHOWN HEREON, IS THE SOLE PRODUCT OF UNITECH, LLC. NO REPRODUCTION IS AUTHORIZED WITHOUT THE EXPRESS WRITTEN PERMISSION FROM UNITECH, LLC. - PATENTS PENDING