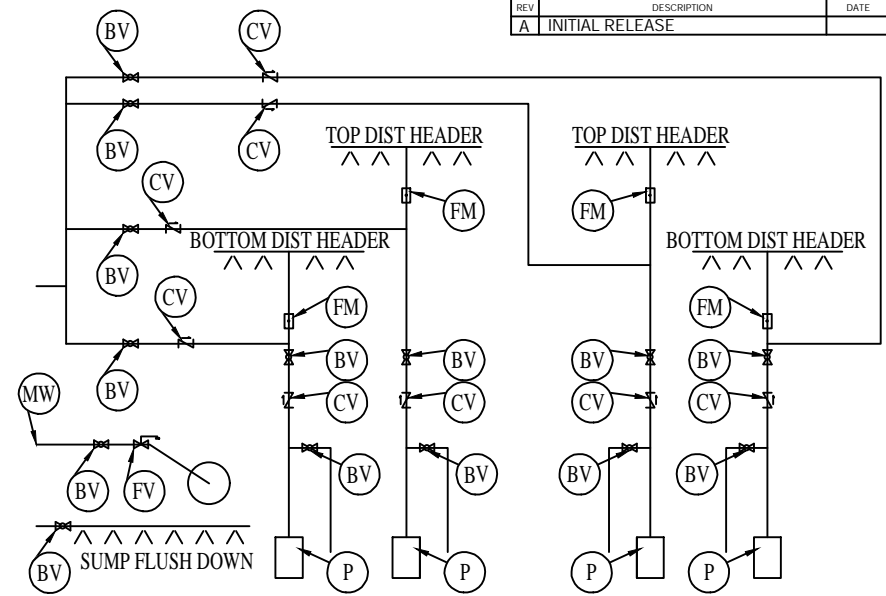
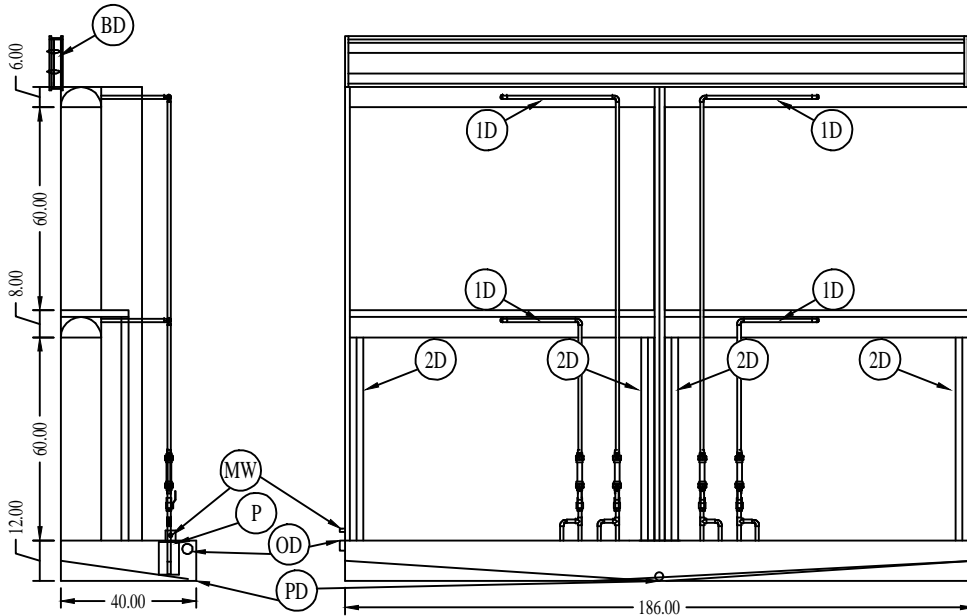
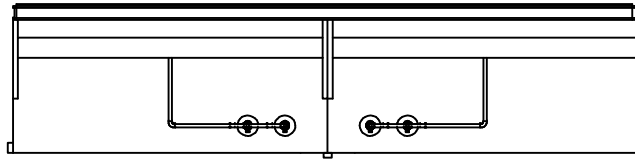


(4) 60" X 93" MUNTERS MEDIA  
 100,000 CFM / 155 SQFT / 645 FPM



- (PD) 2.5" PRIMARY DRAIN
- (BV) BALL VALVE / BALANCE VALVE
- (FV) FLOAT VALVE
- (CV) CHECK VALVE
- (FM) FLOW METER
- (BD) 14" X 113" BYPASS DAMPER, OPPOSED BLADE
- (ID) (4) - 1" DISTRIBUTION LINE
- (2D) (4) - 2.5" DRAINS FROM TOP MEDIA
- (P) (4) - 1/3 HP PUMPS
- (MW) 1/2" OR 1" MAKEUP WATER LINE (VERIFY)
- (OD) 3" OVERFLOW DRAIN

REV	DESCRIPTION	DATE	BY
A	INITIAL RELEASE		

ITEM	PART NO.	DESCRIPTION	QTY
UNLESS OTHERWISE SPECIFIED DIMENSIONS ARE IN INCHES UNSPECIFIED TOLERANCES DECIMALS: in mm X = .1 ± 2.5 XX = .06 ± 1.52 XXX = .031 ± 0.787 ANGULAR: = 5°			
<b>UNITECH</b> 2700 South 900 West Salt Lake City, Utah 84119-2418			
<b>SAMPLE JOB</b> <b>100,000 CFM EVAP COOLER</b>			
DRAWN BY: SWB		SCALE: N.T.S.	
CHECKED BY:		SIZE: B	
		ECC	
JOB NO.:		REV: -	

THIS DRAWING, AND THE INFORMATION SHOWN HEREON, IS THE SOLE PRODUCT OF UNITECH, LLC. NO REPRODUCTION IS AUTHORIZED WITHOUT THE EXPRESS WRITTEN PERMISSION FROM UNITECH, LLC. - PATENTS PENDING